



JUNCTION BOXES

HOUSINGS FOR ENVIRONMENTAL PROTECTION

www.controlwell.com



Junction Boxes are made of halogen-free ABS, which has high resistance to chemicals and atmospheric agents. By virtue of the design they offer IP 65 protection with the help of silicon rubber gasket in EPDM. They are available with plain walls, nipples and membrane. Junction-Box are offered with press-on lids, screw lids and hinged lids. Stainless steel screws are also available on request for lid fastening. Choice of grey colour lid or transparent lid is also available on request.



JUNCTION BOXES (WITH SMOOTH WALLS)

Technical Details :	
Material	Polyamide 6
Material	ABS
Colour	Grey
Screw	Zinc Plated and Chromate passivated
Gasket	Silicon Rubber EPDM
Lid	Grey Colour / Transparent
Standard	IEC 670, CEI 23-48
Protection Class	IP 65
Approvals	CE

Grey Screwed Lid

Cat. No.	Internal Dimension (mm)
	L x W x H
M003.PL *	80 x 80 x 40
M005.PL	100 x 100 x 50
M006.PL	100 x 100 x 65
M007.PL	120 x 75 x 50
M007.XPL	110 x 80 x 60
M008.PL	150 x 110 x 70
M009.PL	190 x 145 x 70
M009.XPL	200 x 120 x 75
M010.PL	240 x 190 x 90
M011.PL	240 x 190 x 110
M011.XPL	240 x 180 x 100
M012.PL	310 x 230 x 115

Transparent Screwed Lid

Cat. No.	Internal Dimension (mm)
	L x W x H
M008.PK	150 x 110 x 70
M009.PK	190 x 145 x 70
M010.PK	240 x 190 x 90
M011.PK	240 x 190 x 110
M011.XPK	240 x 180 x 100
M012.PK	310 x 230 x 115

Grey Hinged Lid

Cat. No.	Internal Dimension (mm)
	L x W x H
M009.A.PL	190 x 140 x 70
M010.A.PL	240 x 190 x 90
M012.A.PL	305 x 225 x 125
M014.A.PL	380 x 300 x 120
M015.A.PL	460 x 380 x 120

Transparent Hinged Lid

Cat. No.	Internal Dimension (mm)
	L x W x H
M009.A.PK	190 x 140 x 70
M010.A.PK	240 x 190 x 90
M012.A.PK	305 x 225 x 125
M014.A.PK	380 x 300 x 120
M015.A.PK	460 x 380 x 120

Grey High Top Lid

Cat. No.	Internal Dimension (mm)
	L x W x H
M008.CA.G	150 x 110 x 135
M009.CA.G	190 x 145 x 135
M010.CA.G	240 x 190 x 160
M011.CA.G	240 x 180 x 170
M012.CA.G	310 x 230 x 160
M014.CA.G	380 x 300 x 180
M015.CA.G	460 x 380 x 180

Transparent High Top Lid

Cat. No.	Internal Dimension (mm)
	L x W x H
M008.CA.K	150 x 110 x 135
M009.CA.K	190 x 145 x 135
M010.CA.K	240 x 190 x 160
M011.CA.K	240 x 180 x 170
M012.CA.K	310 x 230 x 160
M014.CA.K	380 x 300 x 180
M015.CA.K	460 x 380 x 180

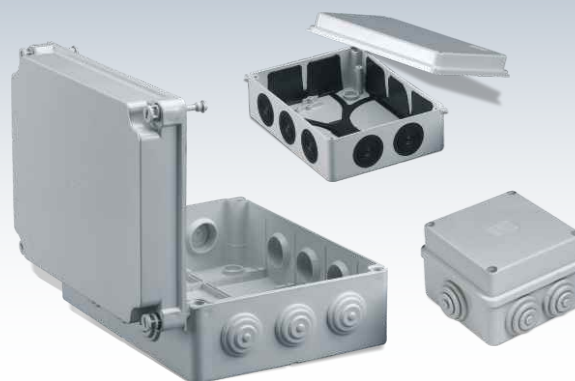
* Press-on Lid with IP 44 protection



Specially designed and moulded Membranes in these Junction Boxes, act as a Cable Glands offering IP 65 protection. After piercing the membrane with a sharp instrument, the cable / flexible conduit has to be inserted and slightly pulled out (withdrawn) to achieve a tight wrap around the cable / conduit resulting in positive clamping. Junction Boxes are also available with specially designed Nipples which act as Cable Glands offering IP 65 protection.

Technical Details :	
Material	ABS
Colour	Grey
Screw	Zinc Plated and Chromate
Gasket	Silicon Rubber EPDM
Lid	Grey Colour / Transparent
Standard	IEC 670, CEI 23-48
Protection Class	IP 65
Approvals	CE

JUNCTION BOXES (WITH MEMBRANES & NIPPLES)



Junction Boxes with Membrane - Grey Screwed Lid

Cat. No.	Internal Dimension (mm) L x W x H	No. of Membranes
M003CS*	80 x 80 x 40	6 + 2
M005CV	100 x 100 x 50	10 + 2
M008PG	150 x 110 x 70	10
M009PG	190 x 145 x 70	10
M010PG	240 x 190 x 90	12
M011PG	240 x 190 x 110	12

* Press-on Lid with IP 44 protection

Junction Boxes with Nipples - Grey Screwed Lid

Cat. No.	Internal Dimension (mm) L x W x H	No. of Nipples
M003 *	80 x 80 x 40	6
M005	100 x 100 x 50	6
M006	100 x 100 x 65	6
M007	120 x 75 x 50	6
M008	150 x 110 x 70	10
M009	190 x 145 x 70	10
M010	240 x 190 x 90	12
M011	240 x 190 x 110	12
M012	310 x 230 x 115	12

* Press-on Lid with IP 44 protection

Junction Boxes with Nipples - Grey Hinged Lid

Cat. No.	Internal Dimension (mm) L x W x H	No. of Nipples
M009.A	190 x 140 x 70	10
M010.A	240 x 190 x 90	12
M012.A	305 x 225 x 125	12
M014.A	380 x 300 x 120	12
M015.A	460 x 380 x 120	14