



These Conduits are made of soft polyethylene (PE). They are flexible, and have a small bending radius offering good impact resistance. They are suitable for various applications such as machine tool, industrial machinery, chemical machinery etc. These Conduits offer IP67 protection in combination with Conduit Glands. UV resistant Conduits are also available on request. These Conduits are available in grey and black colours and comply with EN 60529 and IEC 61386 standards.

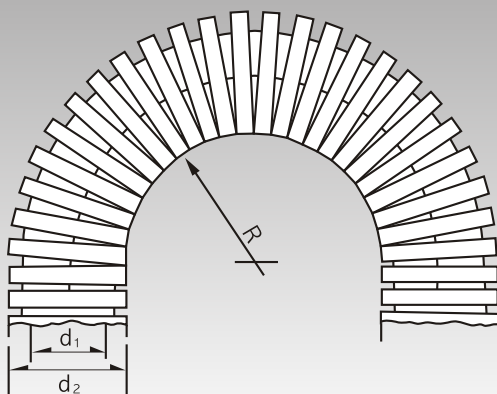


**POLYETHYLENE FLEXIBLE CONDUITS**

**SLITTED / UNSLITTED**

Technical Details :	
Material	Polyethylene (PE)
Flexural Strength	500 kg / cm <sup>2</sup>
Flexural Modules	16,000 kg / cm <sup>2</sup>
Tensile Strength	520 kg / cm <sup>2</sup>
Impact Strength	15 kg / cm <sup>2</sup>
Temperature Range	-15 <sup>o</sup> C to +60 <sup>o</sup> C Continuous, +80 <sup>o</sup> C Short Term
Resistant	Acid, Sea Water, Ammonia, etc.
Protection Class	IP 67

Cat. No. Grey	Cat. No. Grey Slitted	Cat. No. Black	Cat. No. Black Slitted	Inner Diameter d1 (mm)	Outer Diameter d2 (mm)	Bending Radius R (mm) ±10%	Standard Pack (meters)
		PES-4.5B	PESS-4.5B	5.0	7.1	12	50
PES-07G	PESS-07G	PES-07B	PESS-07B	6.4	10.0	15	50
PES-10G	PESS-10G	PES-10B	PESS-10B	9.6	13.0	20	50
PES-12G	PESS-12G	PES-12B	PESS-12B	11.8	15.8	30	50
PES-16G	PESS-16G	PES-16B	PESS-16B	15.9	21.2	40	50
PES-22G	PESS-22G	PES-22B	PESS-22B	21.7	28.5	45	50
PES-28G	PESS-28G	PES-28B	PESS-28B	27.8	34.5	55	50
PES-36G	PESS-36G	PES-36B	PESS-36B	36.0	42.5	60	30
PES-48G	PESS-48G	PES-48B	PESS-48B	46.5	54.5	70	30
PES-56G	PESS-56G	PES-56B	PESS-56B	56.3	67.2	110	30
PES-70G	PESS-70G	PES-70B	PESS-70B	70.0	82.5	160	10
PES-95G	PESS-95G	PES-95B	PESS-95B	91.5	106.0	210	10



**APPLICATION IMAGE**