






These Conduits are made of flame-retardant Polyamide 6. They are flexible, halogen-free and have a small bending radius. They offer good impact resistance and are suitable for various applications such as ship and train building, machine building, tramway, movable machine parts, etc. These Conduits offer IP 67 protection in combination with Conduit Glands. UV resistant Conduits are also available on request. These Conduits are available in grey and black colours and comply with EN 60529 and IEC 61386 standards.

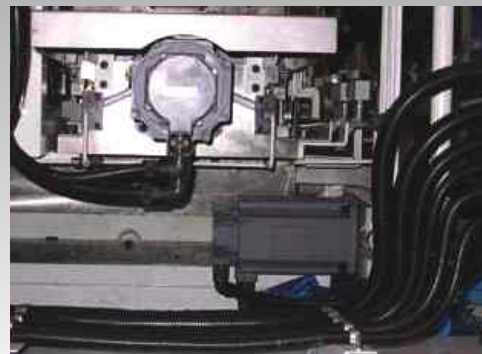
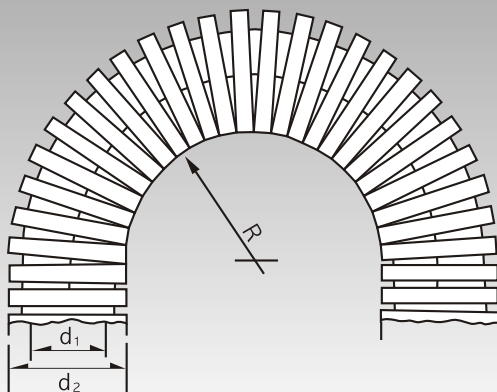
Technical Details :	
Material	Polyamide 6
Flexural Strength	850 kg / cm ²
Flexural Modulus	20,000 kg / cm ²
Tensile Strength	630 kg / cm ²
Impact Strength	20 kg / cm ²
Temperature Range	-40 ^o C to +105 ^o C Continuous, +130 ^o C Short Term
Resistant	Alcohol, Benzol, Greases, Mineral Oil, Diesel Fuel, Sea Water, Petrol, etc.
Protection Class	IP 67
Approvals	  

STANDARD POLYAMIDE FLEXIBLE CONDUITS

SLITTED / UNSLITTED



Cat. No. Grey	Cat. No. Grey Slitted	Cat. No. Black	Cat. No. Black Slitted	Inner Diameter d1 (mm)	Outer Diameter d2 (mm)	Bending Radius R (mm) ±10%	Standard Pack (meters)
		CPS-4.5B	CPSS-4.5B	5.0	7.1	12	50
CPS-07G	CPSS-07G	CPS-07B	CPSS-07B	6.4	10.0	15	50
CPS-10G	CPSS-10G	CPS-10B	CPSS-10B	9.6	13.0	20	50
CPS-12G	CPSS-12G	CPS-12B	CPSS-12B	11.8	15.8	30	50
CPS-16G	CPSS-16G	CPS-16B	CPSS-16B	15.9	21.2	40	50
CPS-22G	CPSS-22G	CPS-22B	CPSS-22B	21.7	28.5	45	50
CPS-28G	CPSS-28G	CPS-28B	CPSS-28B	27.8	34.5	55	50
CPS-36G	CPSS-36G	CPS-36B	CPSS-36B	36.0	42.5	60	30
CPS-48G	CPSS-48G	CPS-48B	CPSS-48B	46.5	54.5	70	30
CPS-56G	CPSS-56G	CPS-56B	CPSS-56B	56.3	67.2	110	30
CPS-70G	CPSS-70G	CPS-70B	CPSS-70B	70.0	82.5	160	10
CPS-95G	CPSS-95G	CPS-95B	CPSS-95B	91.5	106.0	210	10



APPLICATION IMAGE